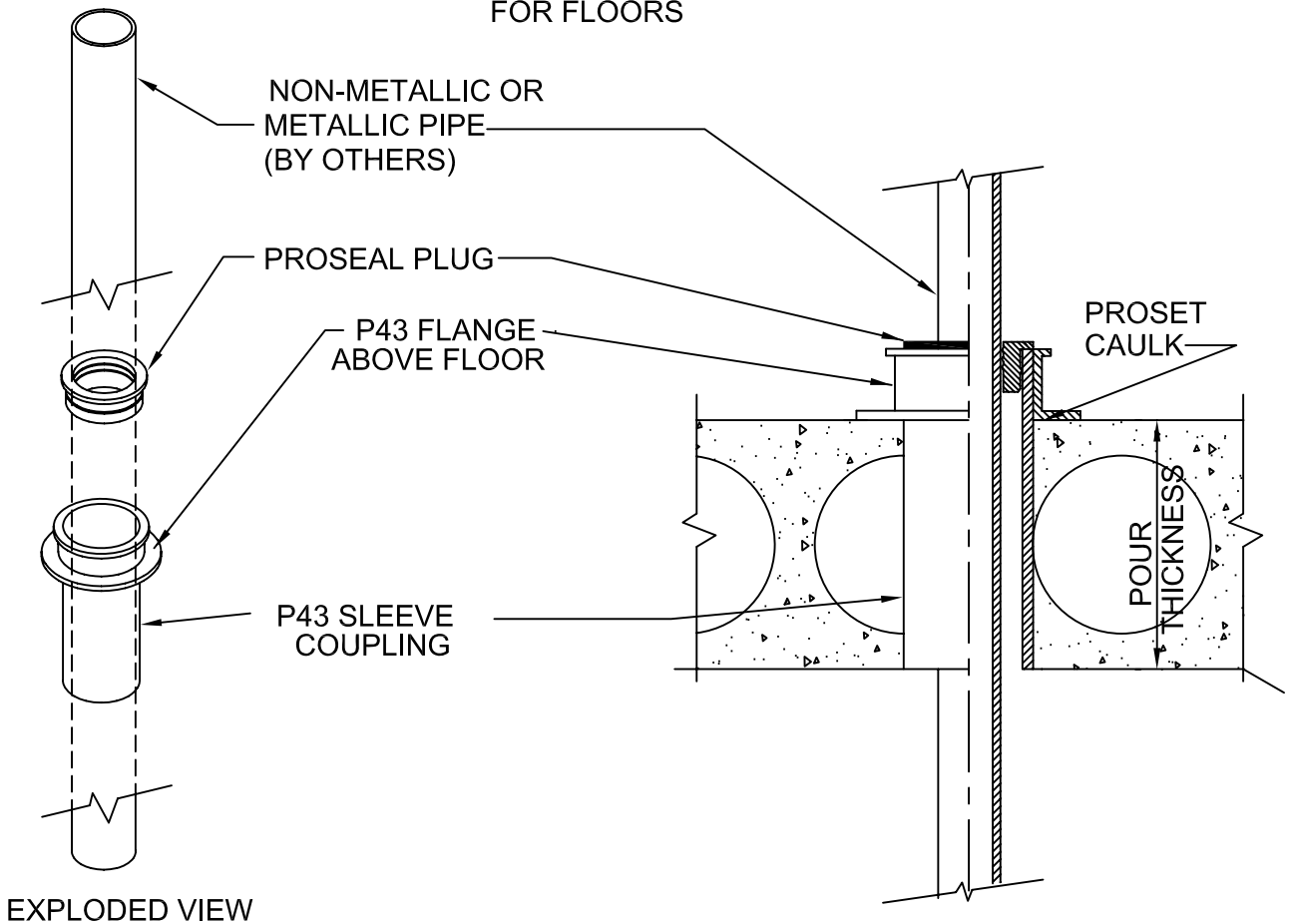


# WATERPROOF PROSEAL PLUG DEVICE

PRECAST CONCRETE OR EXISTING CONCRETE  
FOR FLOORS



## IMPORTANT NOTES :

1. For 2" Coupling Pipe drill a 2 3/4" or 3" cored hole.
2. Install a bead of ProSet Caulk around the bottom of the coupling flange to waterproof.
3. Insert pass through piping up through the sleeve coupling.
4. Install the proper size split ProSeal Plug around the pipe & drive into the sleeve coupling.

Important: Use the White Colored ProSeal Plug only - not the Black



W.H. Directory Reference 97 Edition  
Firestop Device  
W.H. Design No. PS/PHV 120-03  
F Rating 2 Hr. or 3 Hrs. or 4 Hrs.



**PROSET**<sup>®</sup>  
**SYSTEMS**  
FIRESTOP PENETRATOR™

DATE :  
1-10-06  
DRG . NO .  
A-1010-DWP