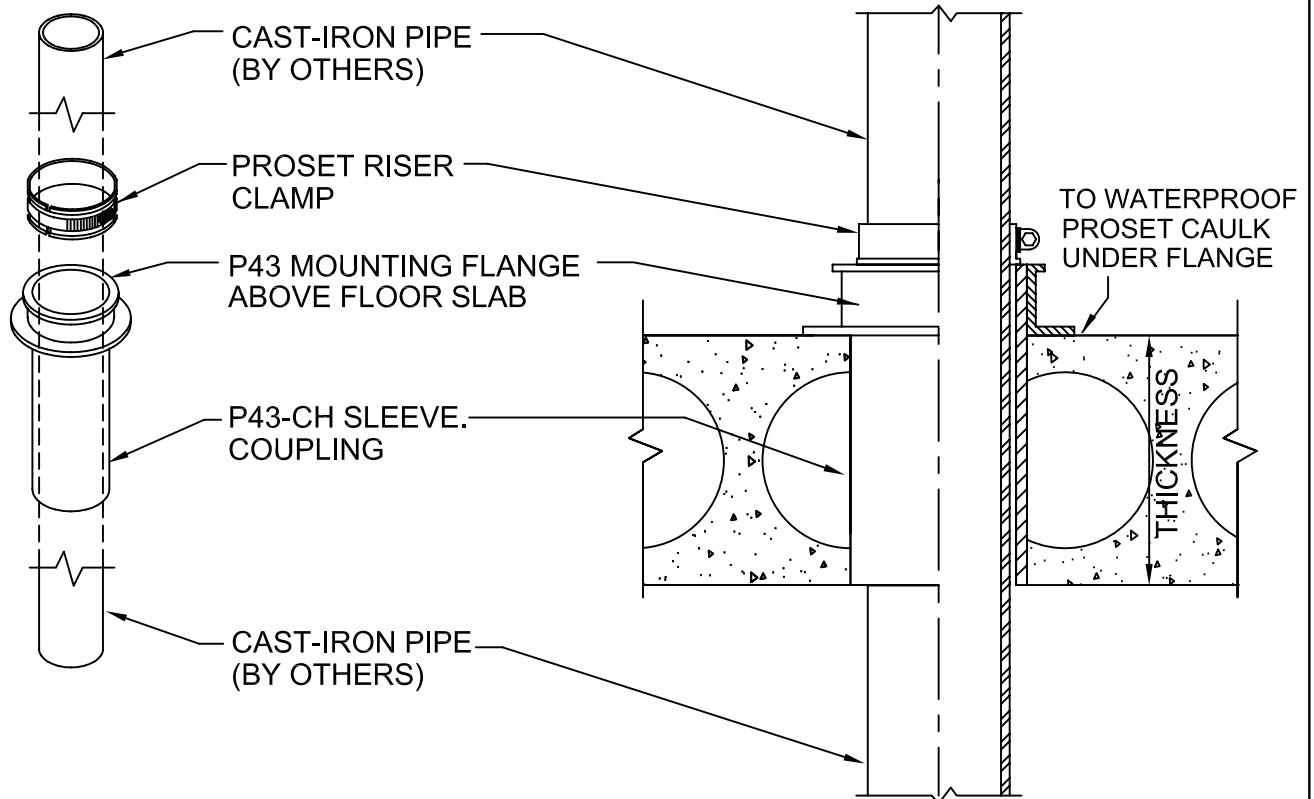


# WATERPROOF C.I. STACK STUB

PRECAST CONCRETE OR EXISTING CONCRETE  
FOR FLOORS



## IMPORTANT NOTES :

1. Core a 2 3/4" hole for 2" - 4" hole for 3" - 5" hole for 4" - 7" for 6".
2. Install a bead of ProSet Caulk under the flange before inserting into the hole.
3. The flange can be secured to the floor through the predrilled holes.
4. Insert the cast iron pipe through the coupling.
5. Install riser clamp around the pipe to support and draft stop.
6. When ordering riser clamp - Use suffix CI for cast iron pipe.
7. Use Black letter Sleeve Pipe for cast iron pipe.

Option 4. Use when cast iron pipe passes completely through the penetration, such as rainwater piping. Must install a ProSet Riser Clamp.



W.H. Directory Reference 97 Edition  
Firestop Device  
W.H. Design No. PS/PHV 180-01  
F Rating 3 Hrs.



**PROSET**<sup>®</sup>  
**SYSTEMS**  
FIRESTOP PENETRATOR™

DATE :

1-10-06

DRG . NO .

B-4804-DWP