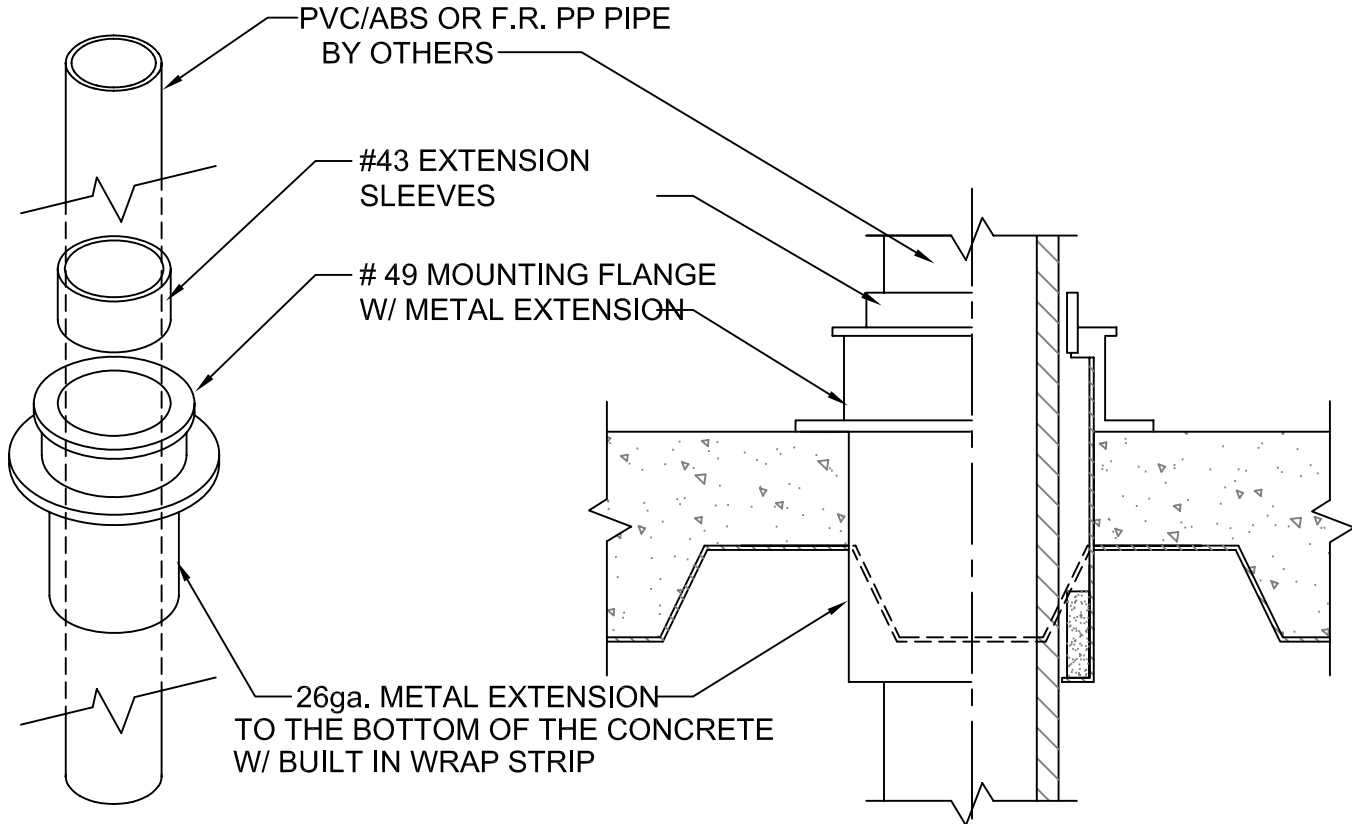


Waterproof Cored Hole PVC Stack

CORED CONCRETE ON CORRUGATED METAL DECK
FOR FLOORS



IMPORTANT NOTES:

1. Core a 3" hole for a 2" plastic pipe. A 4 1/2" hole for a 3" and a 6" hole for a 4" pipe. (For 1 1/2" size see Drawing A-1010-DWP)
2. Insert the Self Seal Cored Hole Assembly through the proper size cored hole.
3. Install a bead of caulk around the bottom of the Mounting Flange to waterproof & anchor the assembly to the concrete floor through the predrilled holes.
4. Swab solvent cement around the PVC pipe and the sleeve top to support the pass through pipe.
5. If the pass through pipe can not be solvent cemented to the Sleeve Coupling for support such as pass through Polypropylene pipe. ProSet's riser clamp can be used for pipe support.



W.H. Directory Reference 98 Edition
Firestop Device
W.H. Design No. PS/PH 120-14
F Rating 2 Hrs.



PROSET[®]
SYSTEMS
FIRESTOP PENETRATOR™

DATE :

1-10-06

DRG . NO .

C-9049-DWP